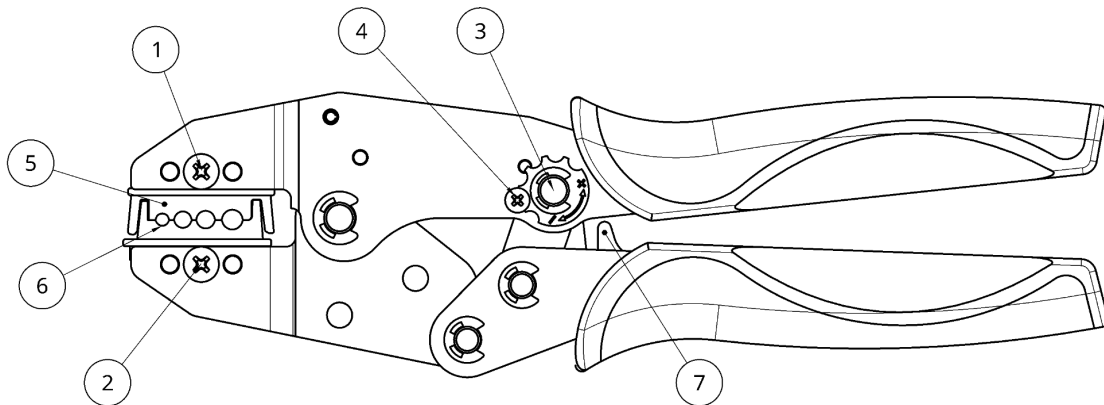
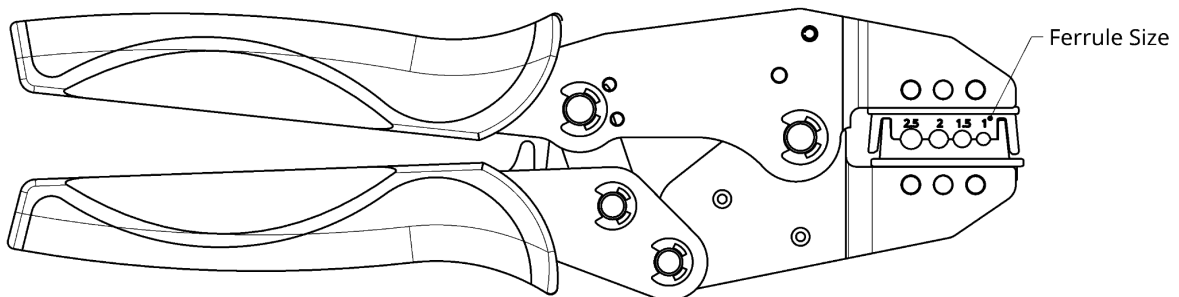


TECNI®

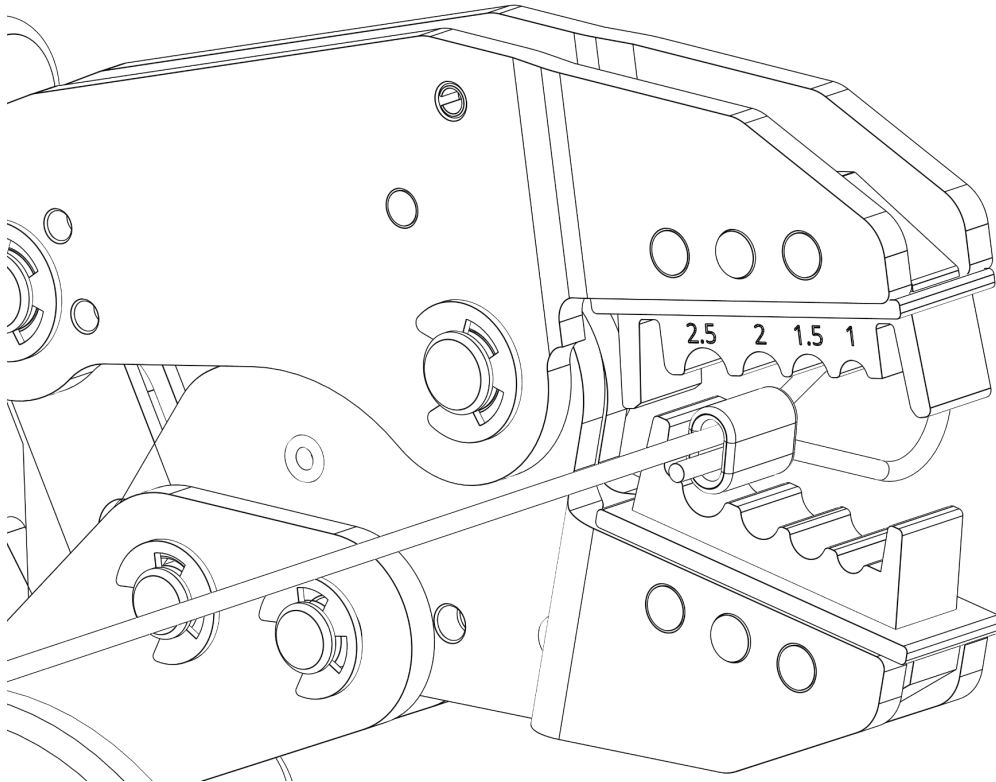


1	TOP DIE RETAINING SCREW
2	BOTTOM DIE RETAINING SCREW
3	RATCHET ADJUSTMENT WHEEL
4	RATCHET ADJUSTMENT WHEEL SCREW
5	TOP DIE
6	BOTTOM DIE
7	RELEASE LEVER

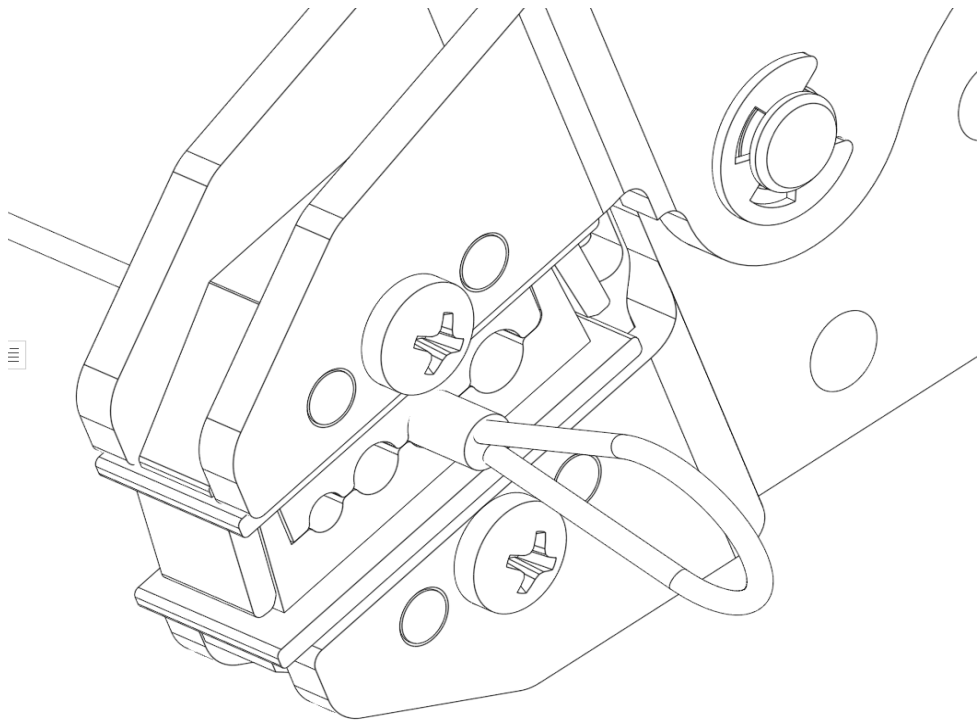


TOOL MARK	7x7 & 7x19 CABLE Ø	TECNI FERRULE CODES	TALURIT FERRULE CODES
1	0.8mm, 0.9mm, 1mm	100.300.010, 100.305.010	T 01, TCU 01
1.5	1.2mm (3/64"), 1.25mm, 1.5mm	100.300.015, 100.305.015, 100.315.015, 100.320.015	T 01.5, TCU 01.5, R 01.5, RCU 01.5
2	1.65mm (1/16"), 1.8mm, 2mm	100.300.020, 100.305.020, 100.315.020, 100.320.020	T 02, TCU 02, R 02, RCU 02
2.5	2.38mm (3/32"), 2.5mm	100.300.025, 100.305.025	T 02.5, TCU 02.5

TECNI[®]

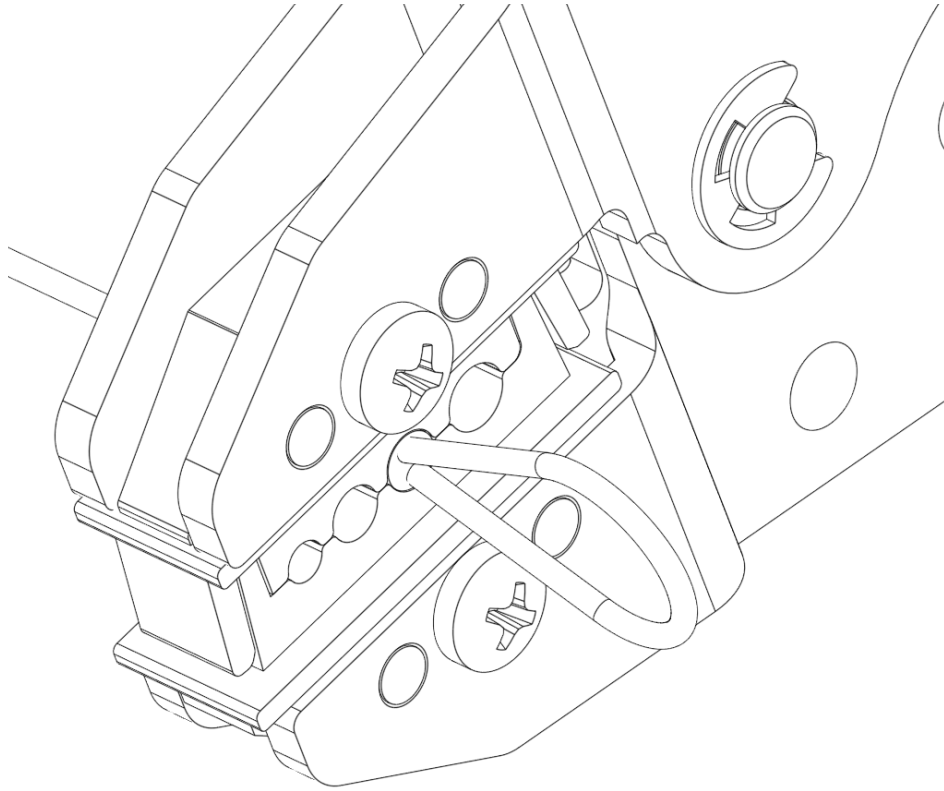


ORIENTATION OF FERRULE IN DIE



FIRST CRIMP STAGE

TECNI[®]



SECOND CRIMP STAGE

